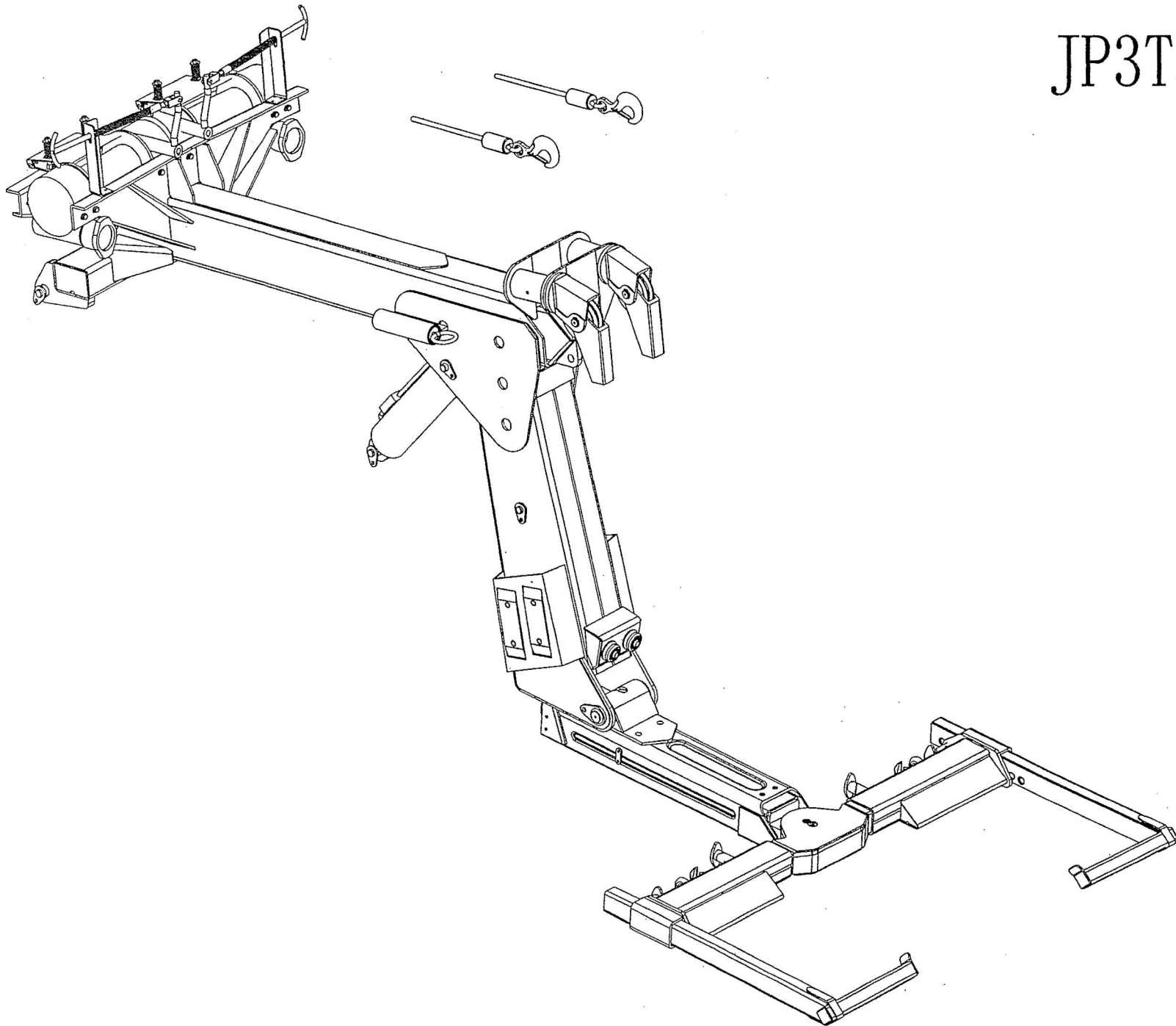




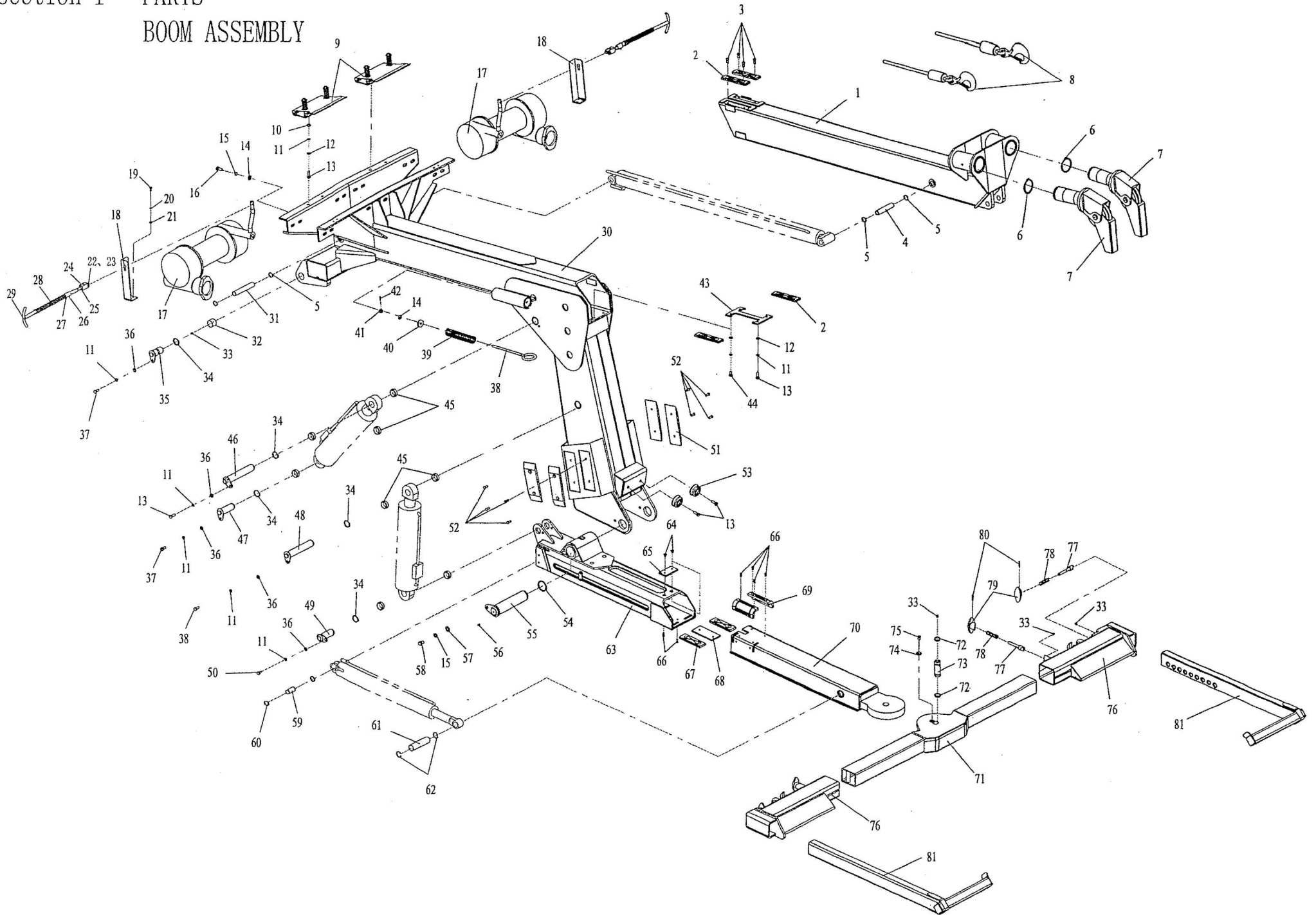
SADR 312

 TOWRECK

JP3T3D



Section I - PARTS
BOOM ASSEMBLY



广东粤海汽车有限公司

JP3T3D装置配件价目表

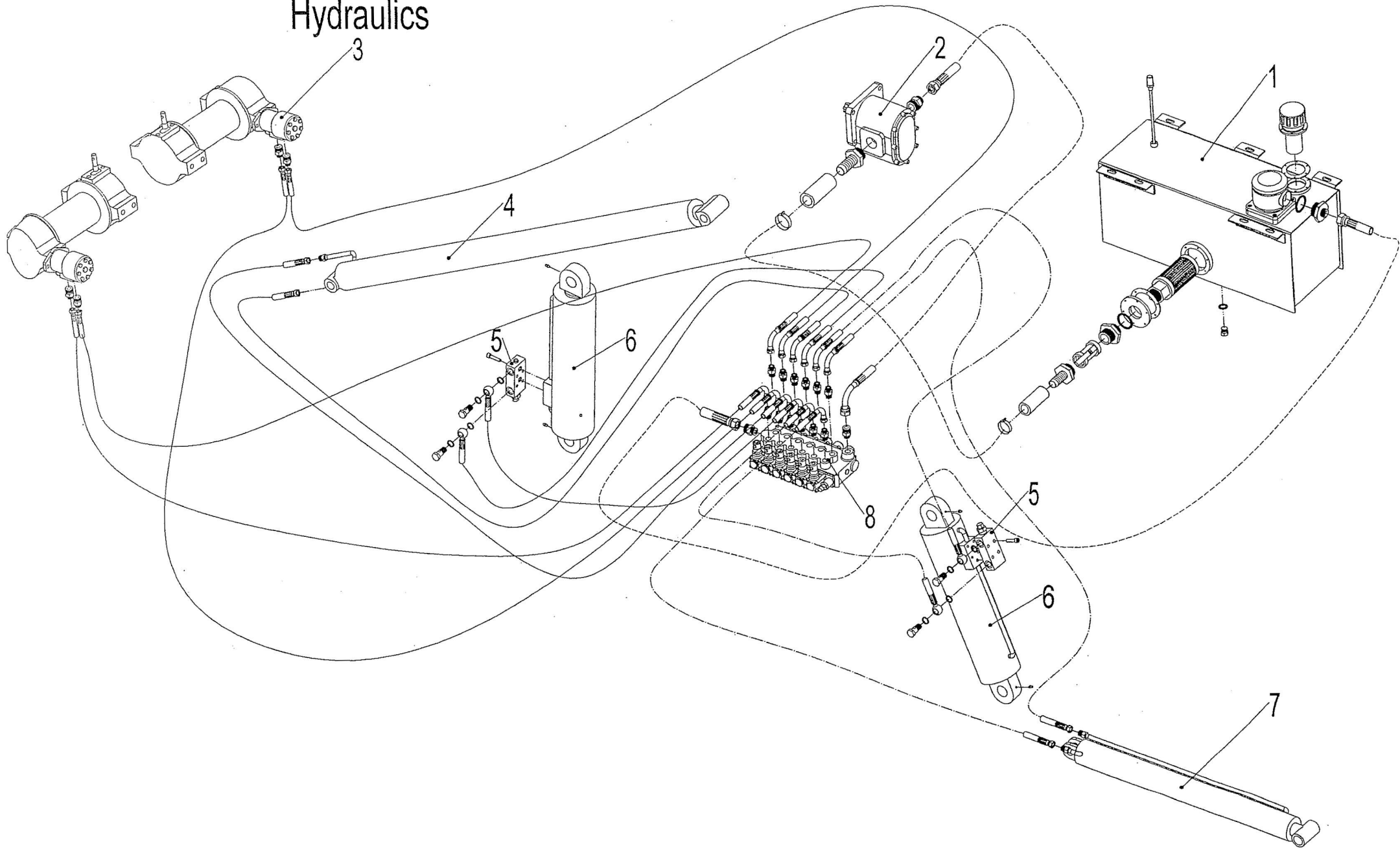
第一部分 起吊装置总成

序号	代号	名称	Description	数量
1	01020001	二臂总成	INNER BOOM WELDMENT	1
2	YHM105	平摩擦片5	SLIDE PAD 5	4
3	GB2673-86	内六角沉头螺钉M8X20	BOLT, M8X20	4
4	09031001	伸缩油缸前销	SHAFT, EXTEND CYLINDER, ROD END	1
5	GB894.1-86	弹性挡圈25	SNAP RING 32	4
6	GB894.1-86	弹性挡圈70	SNAP RING 70	2
7	01020002	滑轮组件总成	BOOM SWIVEL ASSEMBLY	2
8	GB8918-1996	11ZBB6X19+FC1670钢丝绳	WIRE ROPE, 11ZBB6X19+FC1670	2
9	01050001	绞盘压板总成	CABLE TENSIONER	2
10	GB6170-86	螺母M10	NUT, M10	4
11	GB93-87	弹簧垫圈10	LOCKWASHER 10	14
12	GB97.1-85	平垫圈10	FLAT WASHER 10	8
13	GB5783-86	六角螺栓M10X30	SCREW, M10X30	7
14	GB97.1-85	平垫圈12	FLAT WASHER 12	18
15	GB93-87	弹簧垫圈12	LOCKWASHER, 8	17
16	GB5783-86	六角螺栓M12X30	SCREW, M12X30	16
17	JP001	(韶关产) 绞盘	WINCH, PRODUCED IN SHAOGUAN	2
18	01050006	操纵杆支撑架	BRACKET, CONTROL LEVER	2
19	GB5783-86	螺栓M8X18	SCREW, M8X18	6
20	GB93-87	弹簧垫圈8	LOCKWASHER, 8	6
21	GB6170-86	螺母M8	NUT, M8	6
22	GB882-86	B型销轴8X35	B TYPE PIN, 8X35	2
23	GB91-86	开口销3.2X14	SPLIT-PIN, 3.2X14	2
24	01050003	螺纹叉	SCREW FORK	2
25	GB6170-86	螺母M12	NUT, M12	2
26	01050004	套	BUSHING	2
27	GB71-1985	开槽锥端紧定螺钉M8X12	BOLT, M8X12	2
28	01050005	压缩弹簧	COMPRESSION SPRING	2
29	01050007	操纵杆	CONTROL LEVER	2
30	01010004	一臂总成	OUTER BOOM WELDMENT	1
31	09031002	伸缩油缸后销	SHAFT, BOOM EXTEND CYLINDER, BASE	1
32	SF-2-3530	含油轴承套	BEARING BUSHING	2
33	GB1152-79	油杯M6	GREASE FITTING, M6	7
34	GB894.1-86	挡圈35	SNAP RING 35	6
35	09031005	吊臂座联结销	SHAFT, CONNECT WITH THE BOOM	2
36	GB95-85	平垫圈10	FLAT WASHER 10	6
37	GB5783-86	六角螺栓M10X25	SCREW M10X25	4
38	01013001	吊钩拉紧杆	MASTER LINK	2
39	YHH004	弹簧	SPRING	2
40	01013002	垫片	WASHER	2
41	GB6179-86	螺母M12	NUT M12	2
42	GB91-86	开口销2.5X20	SPLIT-PIN, 2.5X20	2
43	01010003	限位板	LOCK PLATE	1

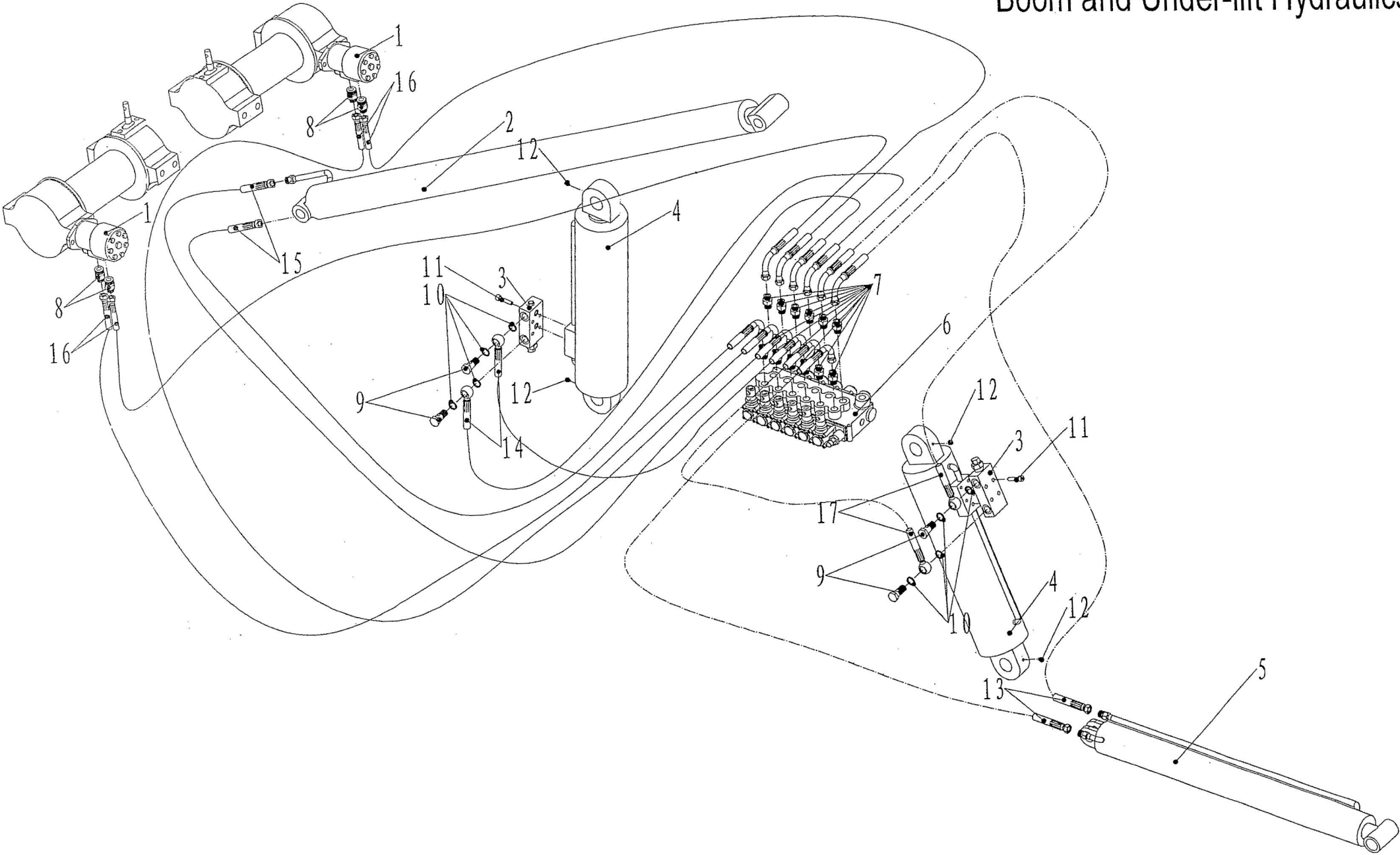
44	GB5783-86	六角螺栓M10X20	SCREW, M10X20	2
45	02050002	提升油缸上下销套	PIN BUSHING, LIFT CYLINDER	8
46	09031006	变幅油缸上销	SHAFT, LIFT CYLINDER, UPPER	1
47	09031007	变幅油缸下销	SHAFT, LIFT CYLINDER, LOWER	1
48	09031008	折叠油缸上销	SHAFT, FOLD CYLINDER, UPPER	1
49	09032007	折叠油缸下销轴	SHAFT, FOLD CYLINDER, LOWER	1
50	GB5783-86	六角螺栓M10X15	SCREW M10X15	1
51	01010005	限位板摩擦片	SLIDE PAD, LOCK PLATE	4
52	GB869-86	沉头铆钉M8X24	RIVET M8X24	8
53	YHM301	减震块	CIRCLE STOP PLATE	2
54	GB894.1-86	挡圈55	SNAP RING 55	1
55	09032006	中心销轴	PIVOT PIN	1
56	GB1152-79	油杯M8X1	GREASE FITTING, M8X1	1
57	GB95-85	平垫圈12	FLAT WASHER 12	1
58	GB5783-86	六角螺栓M12X25	SCREW, M12X25	1
59	09032008	伸缩油缸前销	SHAFT, UNDERLIFT EXTEND CYLINDER, ROD END	1
60	GB894.1-86	挡圈26	SNAP RING 26	2
61	09032009	伸缩油缸后销	SHAFT, UNDERLIFT EXTEND CYLINDER, BASE END	1
62	GB893.1-86	挡圈32	SNAP RING 32	2
63	02010004	托举一臂总成	OUTER UNDERLIFT	1
64	GB2673-86	螺钉M8X12	BOLT M8X12	2
65	02010007	上限位板	TOP LOCK PLATE	1
66	GB2673-86	螺钉M6X18	BOLT M6X18	6
67	YHM102	平摩擦片2	FLAT SLIDE PAD 2	2
68	02010006	挡板	LOCK PLATE, SLIDE PAD	1
69	YHM201	圆弧摩擦片1	SLIDE PAD 1	2
70	02020002	托举二臂总成	INNER UNDERLIFT	1
71	JP80SB-990100	十字臂焊接总成	CROSSBAR WELDMENT	1
72	ZBJ22 002-88	O形圈35502500	O-RING WASHER, 35502500	2
73	80SBA-9900012	十字臂销轴	PIVOT PIN, CROSSBAR	1
74	80SBA-9900011	止动垫圈	LOCK WASHER	1
75	GB819-85	螺钉M10X14	BOLT M10X14	1
76	12063004	十字臂套	WHEEL GRID	2
77	YHX003	插销	PIN	4
78	YHH001	压缩弹簧1	COMPRESSION SPRING 1	4
79	YHQ001	手柄	SLIDE LOCK HANDLE KNOB	4
80	GB119-86	销 A4X35	PIN A4X35	4
81	12063005	L型轮胎托架	L TYPE WHEEL RETAINER	2

Section VI - PARTS

Hydraulics



Section VI - PARTS [1]
Boom and Under-lift Hydraulics



第二部分 零件-液压

1

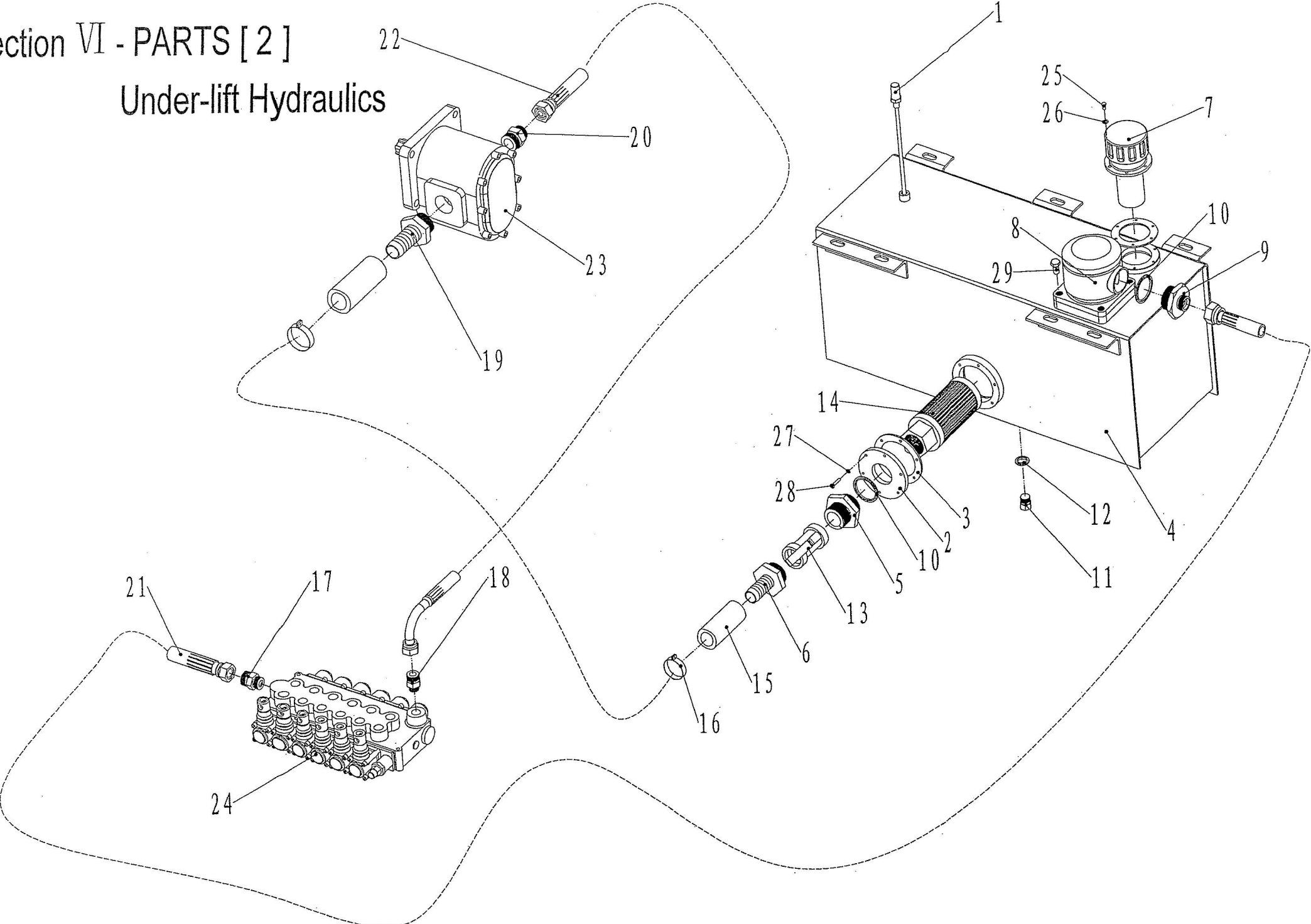
序号	代号	名称	Description	数量
1	10070009	液压油箱总成	HYDRAULIC RESERVOIR	1
2	YB001	齿轮泵CBN _{ZQ} -F532-BLHL	GEAR PUMP CBNZQ-F532-BLHL	1
3	YM001	绞盘油马达 JH80	WINCH MOTOR JH80	2
4	10010016	托臂伸缩缸 Φ63/Φ40 ×1340×1550	UNDERLIFT EXTEND (YLINDER Φ63/ Φ40×1340×1550)	1
5	YF201	平衡阀08.45.20.03.02.35	BALANCE VALVE 08.45.20.03.02.35	2
6	10010010	吊臂高低油缸 Φ100/Φ 60×368×577	BOOM LIFT CYLINDER Φ100/Φ60× 368×577	1
7	10010022	托臂伸缩油缸 Φ63/Φ 40×600×770	UNDERLIFT EXTEND CYLINDER Φ63/ Φ40×600×770	1
8	YF006	六联多路阀HC-D10/6	MUL TI HC-D10/6	1

2

序号	代号	名称	Description	数量
1	YM001	绞盘油马达 JH80	WINCH MOTOR JH80	2
2	10010016	托臂伸缩缸 Φ63/Φ40 ×1340×1550	UNDERLIFT EXTEND (YLINDER Φ63/ Φ40×1340×1550)	1
3	YF201	平衡阀08.45.20.03.02.35	BALANCE VALVE 08.45.20.03.02.35	2
4	10010010	吊臂高低油缸 Φ100/Φ 60×368×577	BOOM LIFT CYLINDER Φ100/Φ60× 368×577	1
5	10010022	托臂伸缩油缸 Φ63/Φ 40×600×770	UNDERLIFT EXTEND CYLINDER Φ63/ Φ40×600×770	1
6	YF006	六联多路阀HC-D10/6	MUL TI HC-D10/6	1
7	YJ003	直通接头G3/8/M16×1.5	CONNECTOR G3/8/M16×1.5	16
8	YJ004	直通接头G1/2/M16×1.5	CONNECTOR G1/2/M16×1.5	4
9	YJ002	铰接螺栓3/8	HINGE BOLT 3/8	4
10	JB982-77	组合垫16.5	WASHER 16.5	8
11	GB70-1	内六角螺母 M8×35	NUT M8×35	8
12	JBT1940.1-1995	油杯 M6	GREASE FITTING M6	4
13		胶管总成6II 4100-B(504/503)	HOSE 6II 4100-B(504/503)	2
14		胶管总成6II 1800-E(503/502)	HOSE 6II 1800-E(503/502)	2
15		胶管总成8II 1200-[3(505/505)	HOSE 8II 1200-[3(505/505)	2
16		胶管总成8II 1300-[4(505/505)	HOSE 8II 1300-[4(505/505)	2
17		胶管总成6II 3650-E(503/501)	HOSE 6II 3650-E(503/501)	2

Section VI - PARTS [2]

Under-lift Hydraulics



第三部分 零件 进油回油部分液压

序号	代号	名称	Description	数量
1	10070010	油标尺	OIL LEVEL GAUGE	1
2	YH/Y111	法兰	FLANGE	1
3	YH/Y105	垫圈	WASHER	1
4	10070011	箱体焊接	RESERVOIR WELDMENT	1
5	10070012	直通接头	CONNECTOR	1
6	10070013	进油接头	IN-LINE CONNECTOR	1
7	YL005	QUQ2空滤器	AIR FILTER QUQ2	1
8	YL003	LHN-100×20L回油滤油器	RETURN LINE FILTER LHN-100×20L	1
9	YH/J083	直通变径接头	CONNECTOR	1
10	JB982-77	组合垫42	WASHER 42	2
11	JB1000-77	外六角螺塞 M16×1.5	SCREW PLUG M16×1.5	1
12	JB982-77	垫圈 16	WASHER 16	1
13	DN32	闸阀	GATE VALVE	1
14	YL001	吸油滤油器WU-100×80	IN-LINE FILTER WU-100×80	1
15		胶管 33 1200	HOSE 33 1200	1
16	Q67650	卡箍	HOSE CLAMP	2
17	YJ006	直通接头G1/2/M26×1.5	CONNECTOR G1/2/M26×1.5	1
18	YJ005	直通接头G3/8/M22×1.5	CONNECTOR G3/8/M22×1.5	1
19	YH/J041	直通接头	CONNECTOR	1
20	YH/J012	直通接头M27×1.5/M22×1.5	CONNECTOR M27×1.5/M22×1.5	1
21		胶管总成15II 1200-B(508/508)	HOSE 15II 1200-B(508/508)	1
22		胶管总成12II 2000-B(506/507)	HOSE 12II 2000-B(506/507)	1
23	YB001	齿轮泵CBNZ ₂₀ -F532-BLHL	GEAR PUMP CBNZQ-F523-BLHL	1
24	YF006	六联多路阀HC-D10/6	MULTI HC-D10/6	1
25	GB67-85	螺钉M4×12	NUT M4×12	6
26	GB95-85	平垫4	WASHER 4	6
27	GB70-85	螺钉M8×16	NUT M8×16	6
28	GB93-87	弹垫8	LOCK WASHER 8	6
29	GB70-85	螺钉M8×25	NUT M8×25	4